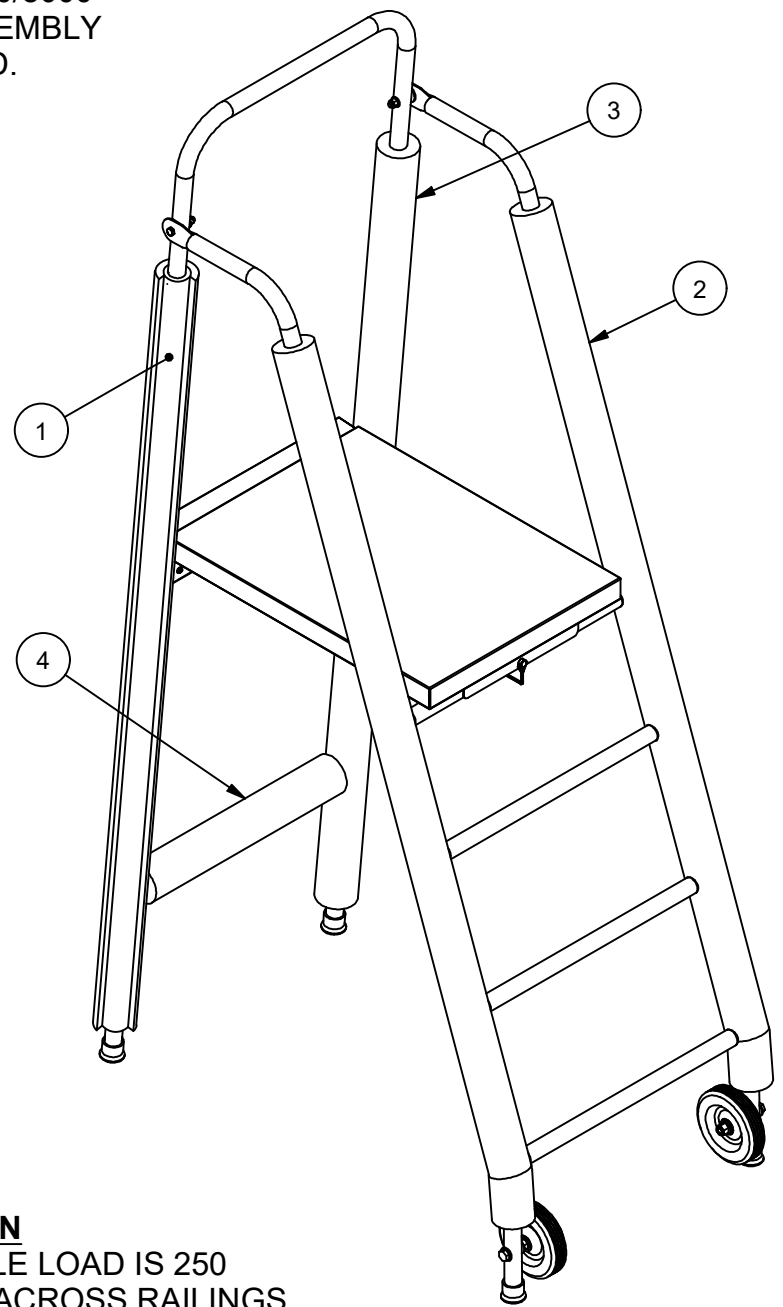


# VRS-60P

**NOTE**  
SEE SEPARATE VRS-6000/8000  
INSTRUCTIONS FOR ASSEMBLY  
OF REFEREE STAND.




**CAUTION**  
MAXIMUM ALLOWABLE LOAD IS 250  
POUNDS. DO NOT LEAN ACROSS RAILINGS  
OR UNIT MAY TOPPLE OVER.

**PLEASE NOTE:**

- 1) FOR SAFE OPERATION AND CONTINUED HIGH PERFORMANCE FROM THIS EQUIPMENT, INSPECTION AND MAINTENANCE MUST BE PERFORMED BEFORE EACH USE.
- 2) USE OF THIS EQUIPMENT OTHER THAN INTENDED, MAY BE HAZARDOUS.
- 3) ALTERATION OR MODIFICATION OF EQUIPMENT MAY BE HAZARDOUS. FOR REPAIR OR REPLACEMENT, PLEASE CALL YOUR DEALER.

LIST OF MATERIALS			
PIECE #	PART #	DESCRIPTION	QTY.
1	FM0022	INSUL-TUBE	4
2	VRS605	LADDER FRAME PAD	2
3	VRS606	FRONT FRAME PAD	2
4	VRS608	FRONT BAR PAD	1

	MODEL NUMBER: VRS-60P		CHECKED BY: MT	
	PRODUCT NAME: REFEREE STAND PAD			
976 Hartford Turnpike Waterford, CT 06385 USA (800)243-0533 Fax: (800)988-3363 www.jayprosports.com	DATE: 11/1/2023	REV: A	DRAWN BY: Moune T.	SHEET: 1 OF 1