

BA803, BA803A



Elementary Basketball Standard

Customer Service
(800) 247-7668

PARTS LIST

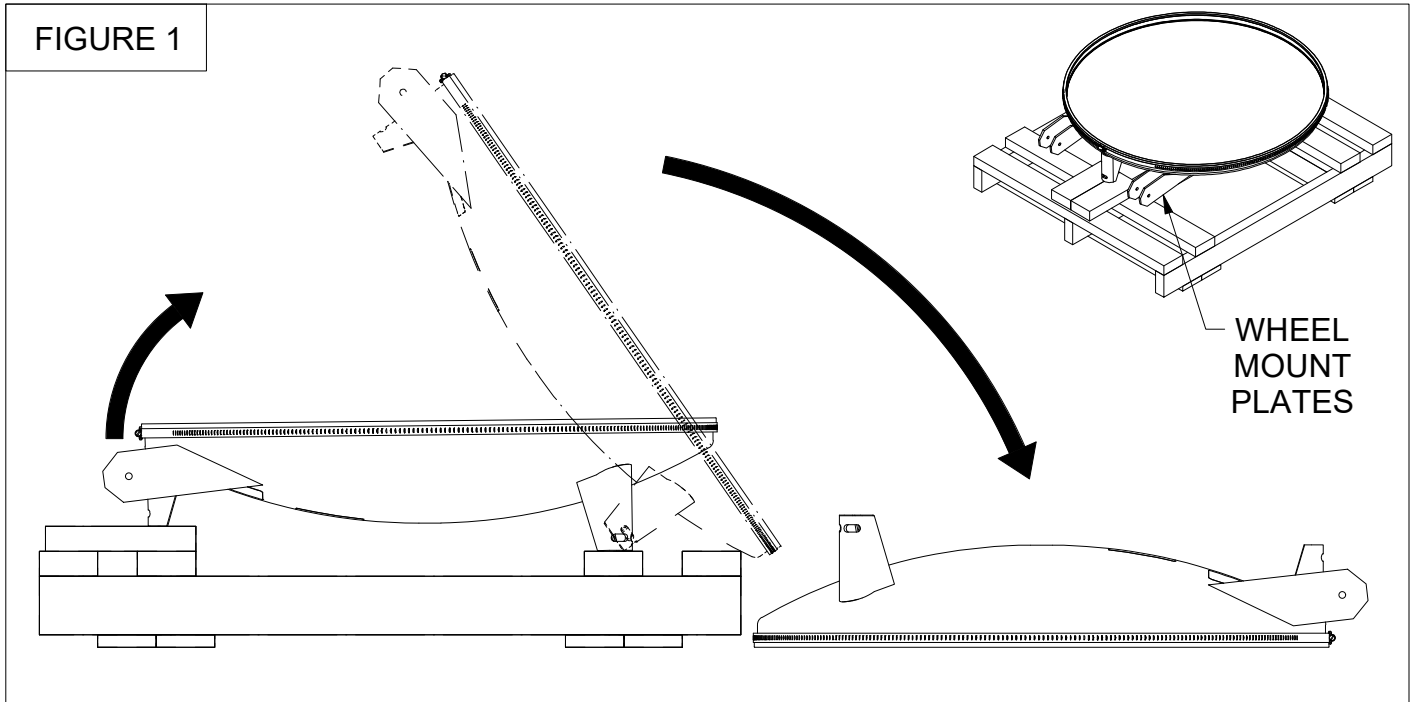
Item	Qty	Description	Item	Qty	Description
A	1	Base	N	4	5/16" x 3" Carriage Bolt (FT1411)
B	1	H-Frame	O	12	5/16" Flat Washer (FT1930)
C	1	Rear Support	P	4	5/16" Lock Washer (FT1940)
D	2	Adjustable Pole	Q	4	5/16" Hex Nut (FT1060)
E	1	Backboard (BA600 or BA46AW*)	R	6	3/8" x 2-3/4" Hex Bolt (FT1364)
F	1	Rim (BA26)	S	2	3/8" Lock Nut (FT1070)
G	2	#10-24 x 3/4" PPHMS (PC1333)	T	8	5/16" x 2-1/2" Hex Bolt (FT1447)**
H	1	Backboard Support Plate	U	4	5/16" Flange Nut (FT1063)
I	2	Wheel (PC3505)	V	1	Padding (BA803PP)
J	2	1/4" Locking Spring Pin (FT1042)	W	1	BA803A Adapter Bracket (Right)*
K	4	3/8" Flat Washer (FT1950)	X	1	BA803A Adapter Bracket (Left)*
L	4	3/8" Lock Washer (FT1960)	Y	4	1/4" x 1-1/4" Special Bolt (FT1236)*
M	4	3/8" Hex Nut (FT1080)	Z	4	1/4" Flange Nut (FT1045)*

* Packaged with BA803A Models ** 4 Packaged with BA803A Models

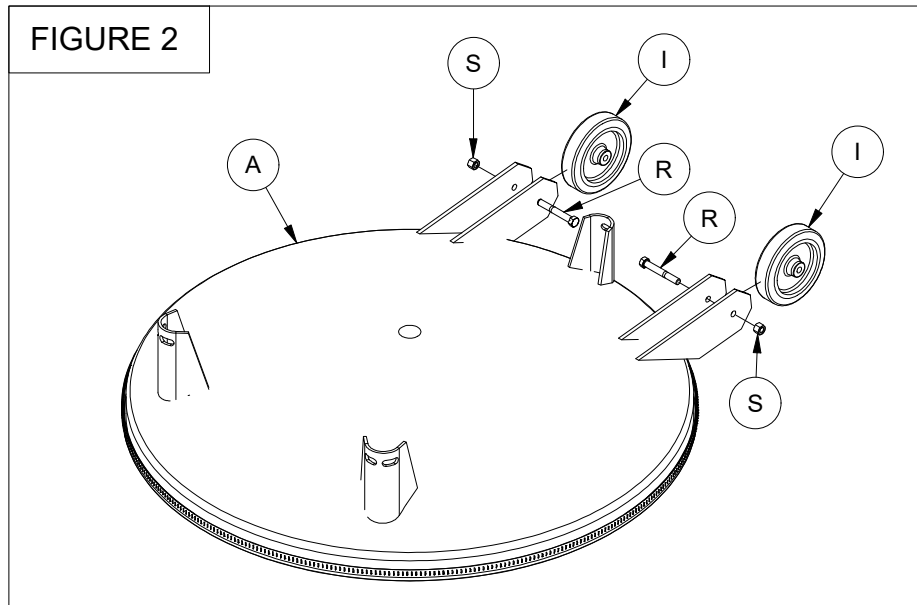
- ◆ Inspect all contents prior to installation. Report any missing parts to dealer immediately.
- ◆ Carefully read all instructions before proceeding.
- ◆ Save these instructions in the event that the manufacturer needs to be contacted in the future.

Improper installation, maintenance or use may cause product failure and serious personal injury.

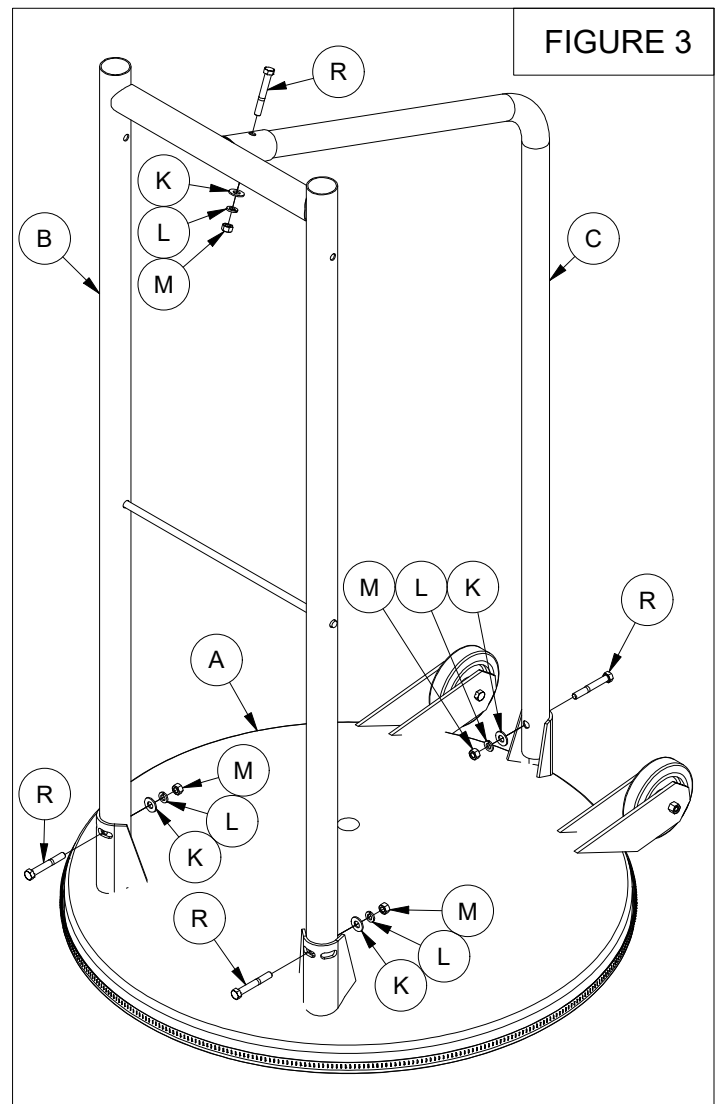
1. *Base (A)* ships attached to a pallet. **Unit is heavy!** With 2 strong adults, use the wheel mount plates to lift and flip the base off the pallet, taking care not to place any body parts underneath the *Base (A)* while removing from pallet. See Figure 1.



2. Attach *Wheels (I)* to *Base (A)* with $3/8'' \times 2-3/4''$ *Hex Bolts (R)* and $3/8''$ *Lock Nut (S)*. Tighten the lock nut until the end of the bolt is flush with the outside face of the lock nut. Do not over tighten. Over tightening will cause the wheel mount plates to pinch the wheel, preventing it from spinning freely. See Figure 2.

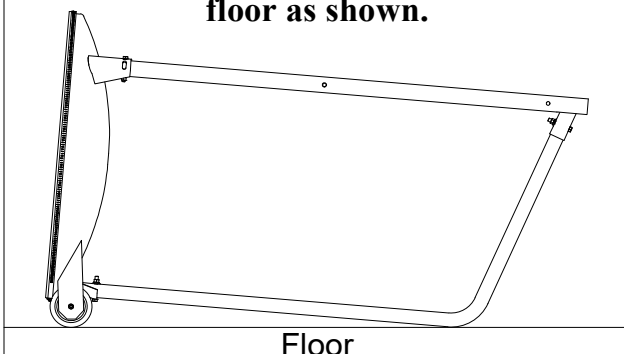


3. Position the *H-Frame (B)* and *Rear Support (C)* in the gussets on *Base (A)*. Install *Rear Support (C)* into the short tube on *H-Frame (B)* with $3/8'' \times 2-3/4''$ *Hex Bolt (R)*, $3/8''$ *Flat Washer (K)*, $3/8''$ *Lock Washer (L)*, and $3/8''$ *Hex Nut (M)*. Attach *H-Frame (B)* and *Rear Support (C)* with $3/8'' \times 2-3/4''$ *Hex Bolts (R)*, $3/8''$ *Flat Washers (K)*, $3/8''$ *Lock Washers (L)*, and $3/8''$ *Hex Nuts (M)*. See Figure 3.

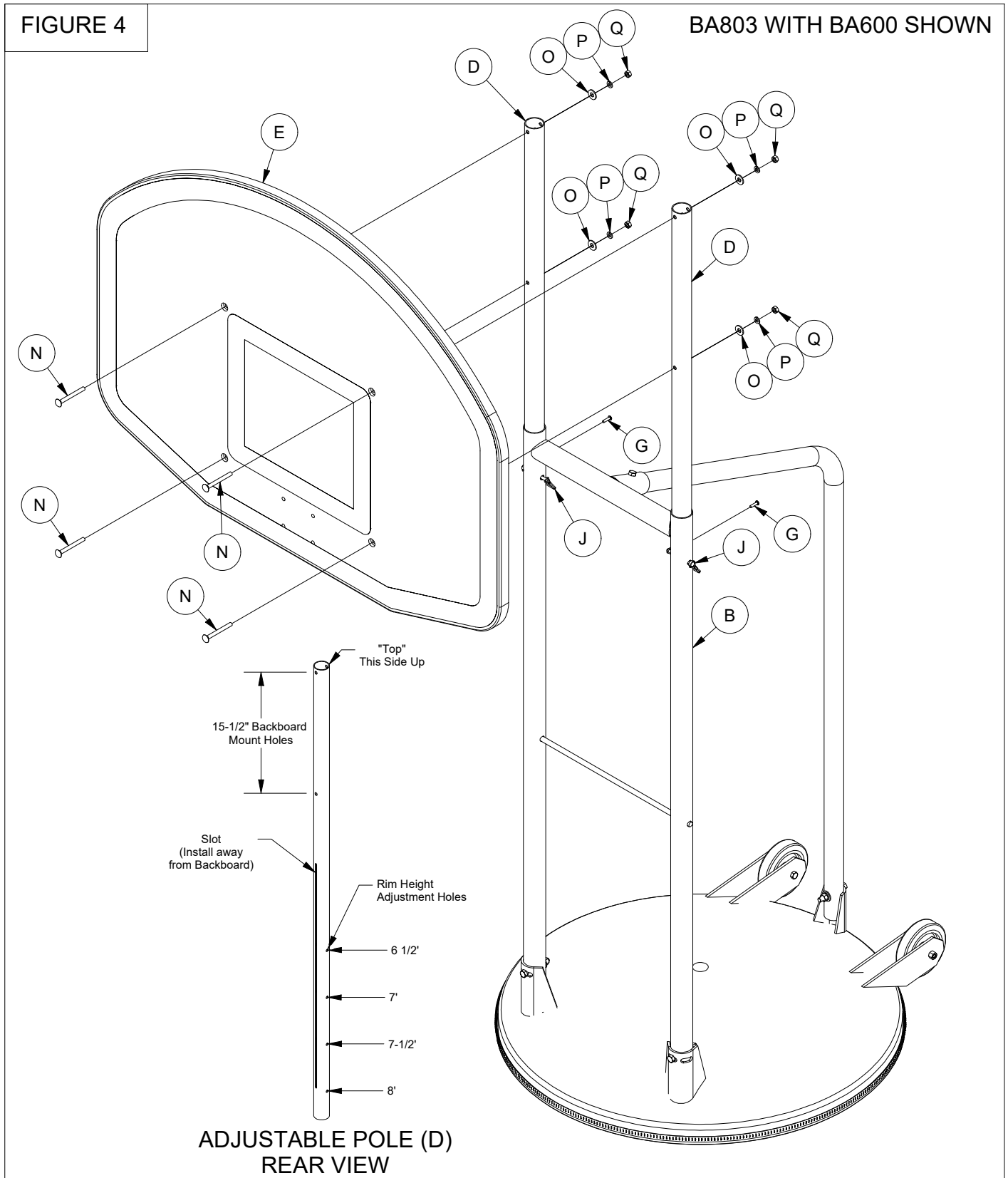


Pro Tip:

To aid with the following installation steps, with 2 strong adults tip the entire unit to the rear and rest parallel to the floor as shown.



4. Insert *Adjustable Poles (D)* into the *H-Frame (B)*. Orient the *Adjustable Poles (D)* so the "top" 2 holes spaced 15-1/2" apart are up and the slots are facing towards the rear of *Base (A)*. See Figure 4.
5. IMPORTANT! Before proceeding, install the #10-24 x 3/4" *Phillips Pan Head Machine Screws (G)* into the threaded holes on the backside of *H-Frame (B)* through the slots in the *Adjustable Poles (D)*. This will prevent the accidental removal of the *Adjustable Poles (D)* when adjusting the rim height. See Figure 4.



6. Lock the *Adjustable Poles* (D) by inserting the *1/4" Locking Spring Pins* (J) through *H-Frame* (B) and the 6-1/2' Rim Height Adjustment Hole on both *Adjustable Poles* (D). See Figure 4.
7. **(For BA803 with BA600)** Mount *Backboard* (E) using the *5/16" x 3" Carriage Bolts* (N), *5/16" Flat Washers* (O), *5/16" Lock Washers* (P), and *5/16" Hex Nuts* (Q). The square shoulders of the *5/16" x 3" Carriage Bolts* (N) must be seated in the square holes in *Backboard* (E) before tightening the hardware. See Figure 4.
(For BA803A model with BA46AW Acrylic backboard, see Step 11 and Figure 7 on next page)
8. Mount *Rim* (F) and *Backboard Support Plate* (H) to the *Backboard* (E) with *5/16" x 2-1/2 Hex Bolts* (T), *5/16" Flat Washers* (O), and *5/16" Flange Nuts* (U) included with the *Rim* (F). See Figure 5.
(See Figure 8 for BA803A)
9. Install *Padding* (V) to the front uprights of the *H-Frame* (B) toward the playing area. See Figure 6.
10. Install the net.

Rim Height Adjustment:
To raise and lower rim height ALWAYS tip the entire unit to the rear and rest parallel to the floor. Remove *Locking Spring Pin* (J) from each *Adjustable Pole* (D) and raise or lower the rim to the desired rim height. Replace both *Locking Spring Pins* (J) prior to returning to the playing position.

Warning!!!
The unit must be lowered to the 6-1/2' position for transport. Failure to do so may result in injury!!
Do not leave outside as wind may cause tip over.
This system is not suitable for any player contact with the rim, including but not limited to dunking.

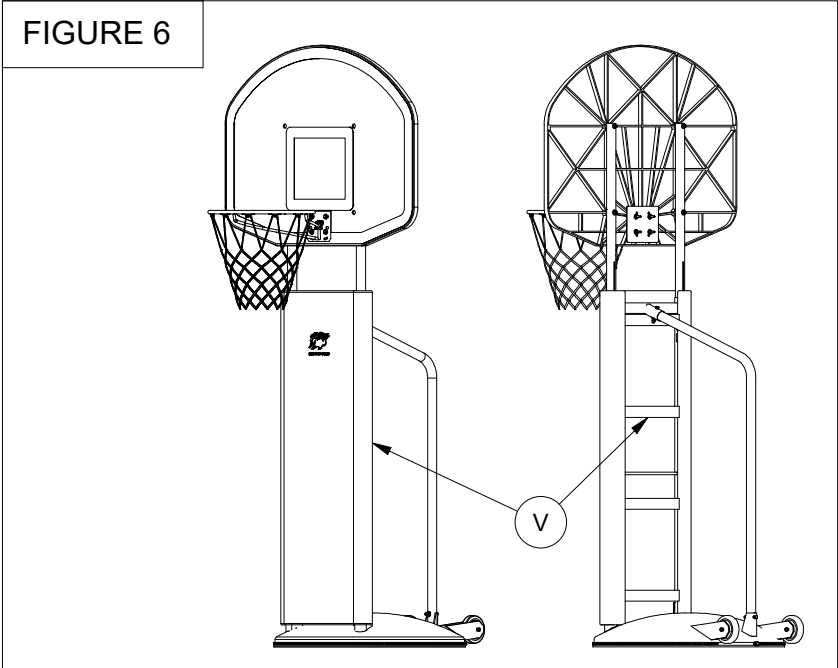
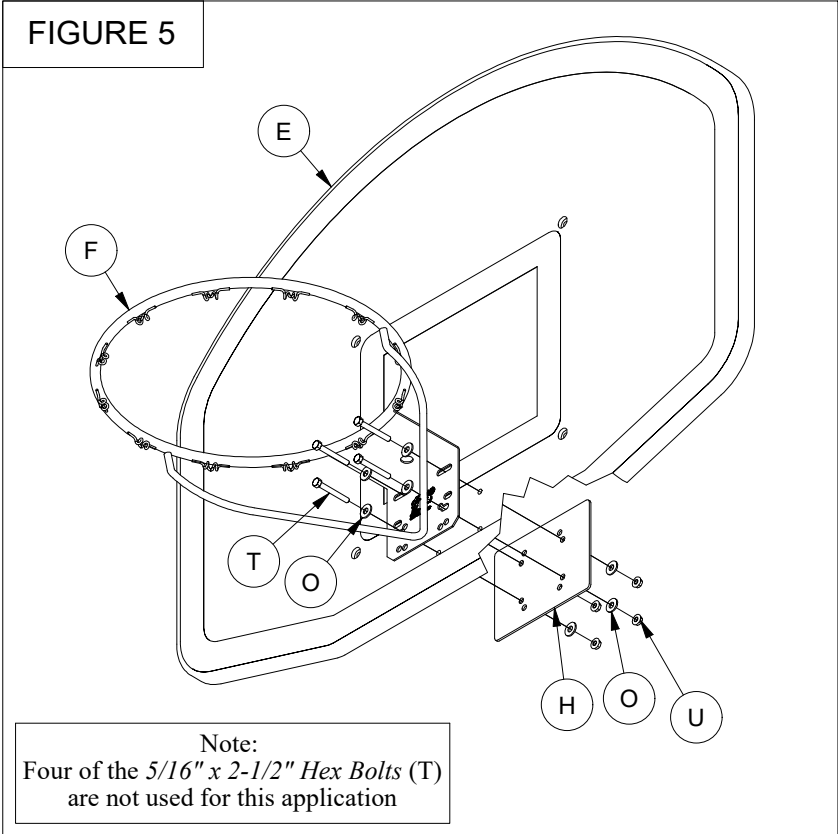
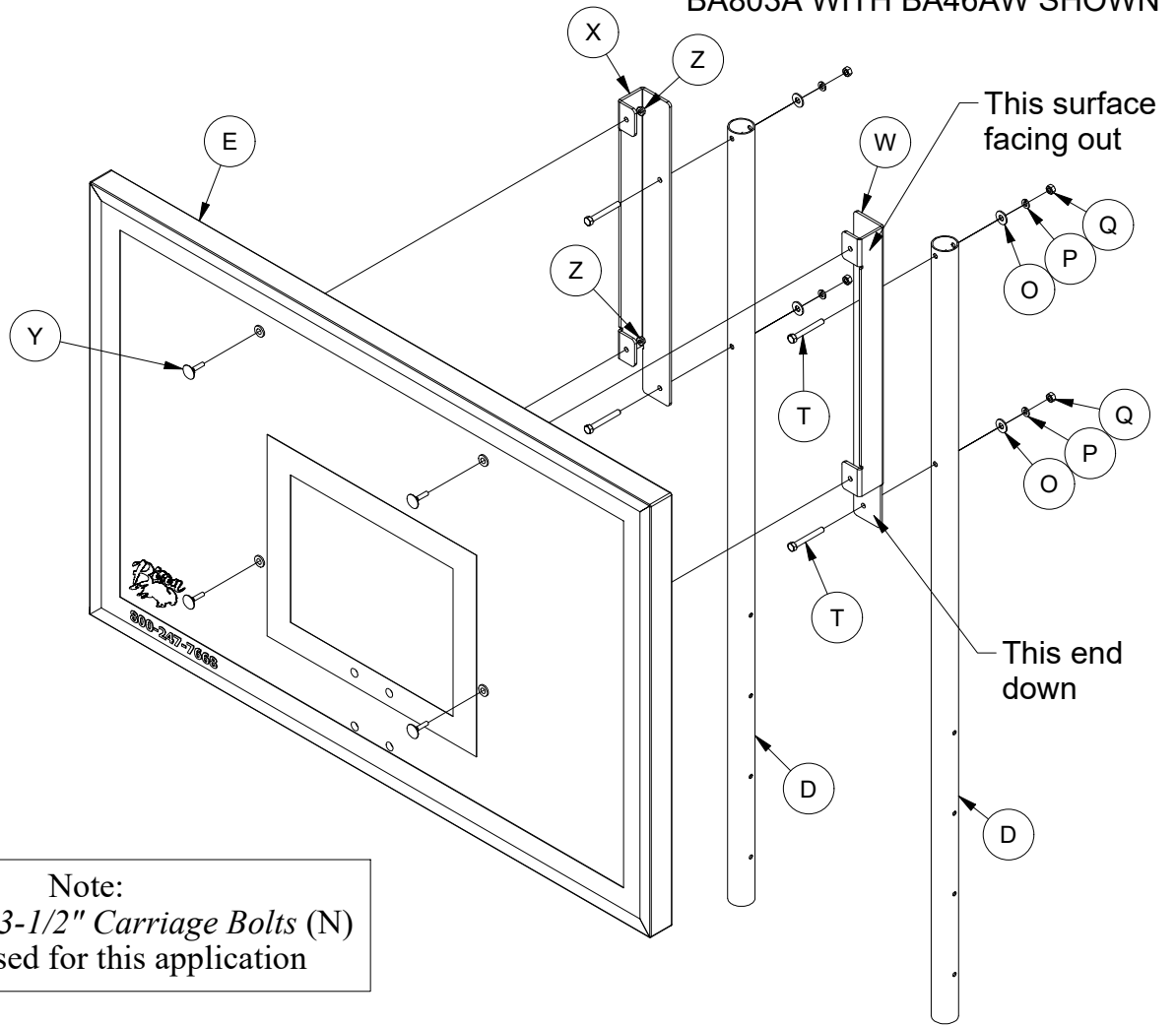


FIGURE 7

BA803A WITH BA46AW SHOWN



Note:
The 5/16" x 3-1/2" Carriage Bolts (N)
are not used for this application

The following steps are for the BA803A Model only

11. Using the 1/4" x 1-1/4" Special Bolts (Y) and the 1/4" Flange Nuts (Z) bolt the BA803A Adapter Brackets (W & X) to the Backboard (E). Leave bolts finger tight. See Figure 7 for correct orientation of the BA803A Adapter Brackets (W & X).
12. Bolt the Backboard (E) assembly to the Adjustable Poles (D) using the 5/16" x 2-12" Hex Bolts (T), 5/16" Flat Washers (O), 5/16" Lock Washers (P), and 5/16" Hex Nuts (Q). See Figure 7.
13. Tighten all hardware. Return to Step 8 to finalize assembly.

FIGURE 8

