

**G** **PERFORMANCE**  
**GARED** **SPORTS SYSTEMS**

Micro-Z



**Installation, Operation and Maintenance Instructions**

.....  
**Please read all instructions before attempting installation or operation of these units**  
.....

**SAVE THESE INSTRUCTIONS FOR FUTURE USE**

***Table of Contents***

<b><u>Section</u></b>	<b><u>Page No.</u></b>
Introduction	2
Cautions and Warnings	3
Parts Checklist	4 - 5
Assembly and Setup	6 - 10
Unit Operation	11
Maintenance	12
Troubleshooting	13

## ***Introduction***

Thank you for your purchase of a Gared Performance Sports Systems model MICRO-Z portable backstop. To ensure that our equipment will provide years of use to you, we are including this installation, operation, and maintenance guide. This guide will provide information on the proper assembly and installation methods, operating procedures, and preventative maintenance of your portable backstop.

Please note that a Bill of Materials is being included with this guide. Please check that all the parts called out on the Bill of Materials are present prior to beginning assembly and setup. Please do not substitute for factory parts. Please contact the Gared Performance Sports Systems customer service department and allow them to determine if substitute parts are acceptable.

It is recommended that individuals who have been properly trained perform assembly and set up of the backstop. No one under the age of 18 should attempt assembly or set up of the unit, unless properly supervised.

To prevent normal wear and tear from shortening the life of the unit, preventative maintenance inspections and repairs should be performed at least once per year. If the units are subject to high or unusual usage, inspections should be scheduled to occur more frequently. If items are found to be nonconforming, replacements can be ordered from Gared Sports or one of our authorized dealers. When contacting Gared Sports, please have information regarding the dealer/installer who sold the unit, the name of the project, and any applicable warranty information.

Read and understand the following warnings to prevent possible personal injury and potential damage to the equipment during assembly, setup, and operation.

**! DANGER**

THIS UNIT MUST BE LOADED WITH BALLAST BEFORE ASSEMBLY OR PLAY. FAILURE TO LOAD BALLAST CAN RESULT IN EQUIPMENT DAMAGE AND/OR SERIOUS INJURY TO PERSONNEL.

126331507

**! WARNING**

FRONT LEVELING PADS MUST BE ON FLOOR WITH ALL WEIGHT OFF THE FRONT SWIVEL CASTERS BEFORE UNIT CAN BE USED FOR PLAY.

126331505

**! WARNING**

THIS PORTABLE IS NOT DESIGNED FOR DUNKING ACTIVITIES.

**DO NOT HANG ON RIM.**

126331506

**! CAUTION**

DO NOT STAND OR SIT ON UNIT DURING OPERATION

126453735

**! CAUTION**

ALWAYS LOWER BACKBOARD TO FULL DOWN POSITION BEFORE ATTEMPTING TO MOVE THE UNIT.

126453740

Before proceeding with assembly, **read all instructions and assembly procedures**. Make sure all parts have been received and are not damaged.

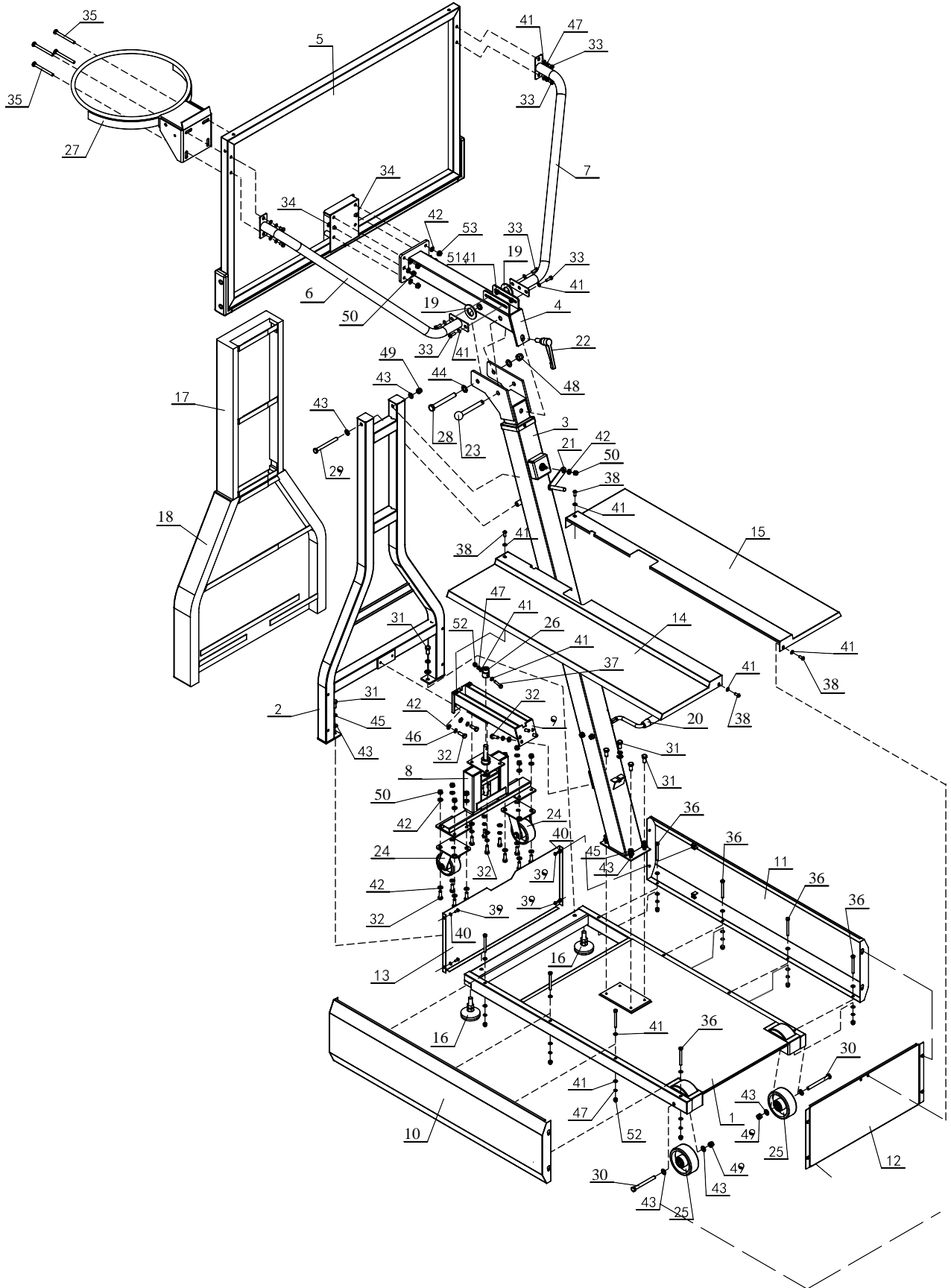
## Parts Checklist

Verify all **bold** parts listed on packing list are present prior to installation.

Item	Description	Qty	Item	Description	Qty
#1	Base Frame	1	<b>#28</b>	<b>Hex Bolt M16*130</b>	<b>1</b>
#2	Front Support	1	#29	Hex Bolt M12*260	1
#3	Main Beam	1	#30	Hex Bolt M12*120	2
<b>#4</b>	<b>Extension Beam</b>	<b>1</b>	#31	Hex Bolt M12*25	6
<b>#5</b>	<b>Backboard</b>	<b>1</b>	#32	Hex Bolt M10*30	17
<b>#6</b>	<b>Upper Extension Arm-L</b>	<b>1</b>	<b>#33</b>	<b>Hex Bolt M8*25</b>	<b>8</b>
<b>#7</b>	<b>Upper Extension Arm-R</b>	<b>1</b>	<b>#34</b>	<b>Carriage Bolt M10*30</b>	<b>2</b>
#8	Caster Mechanism	1	<b>#35</b>	<b>Carriage Bolt M10*100</b>	<b>4</b>
#9	Caster Mechanism Support	1	#36	Hex Bolt M8*80	8
#10	Left Panel	1	#37	Hex Bolt M8*40	1
#11	Right Panel	1	#38	Round Head Hex Screw	4
#12	Rear Panel	1	#39	Pan Head Philips Screw	4
#13	Middle Panel	1	#40	Flat Washer M6	4
#14	Left Cover	1	<b>#41</b>	<b>Flat Washer M8</b>	<b>12</b>
#15	Right Cover	1	<b>#42</b>	<b>Flat Washer M10</b>	<b>6</b>
#16	Steel Foot	2	#43	Flat Washer M12	12
<b>#17</b>	<b>Upper Pad</b>	<b>1</b>	<b>#44</b>	<b>Flat Washer M16</b>	<b>2</b>
<b>#18</b>	<b>Bottom Pad</b>	<b>1</b>	#45	Locking Washer M12	6
<b>#19</b>	<b>Nylon Washer</b>	<b>2</b>	#46	Locking Washer M10	9
<b>#20</b>	<b>Crank Handle</b>	<b>1</b>	<b>#47</b>	<b>Locking Washer M8</b>	<b>4</b>
#21	Locking handle	1	<b>#48</b>	<b>Lock Nut M16</b>	<b>1</b>
<b>#22</b>	<b>Fastening Handle</b>	<b>1</b>	#49	Lock Nut M12	3
<b>#23</b>	<b>Safety Pin</b>	<b>1</b>	<b>#50</b>	<b>Lock Nut M10</b>	<b>2</b>
#24	4" Swivel Caster	2	<b>#51</b>	<b>Lock Nut M8</b>	<b>4</b>
#25	5" Fixed Wheel	2	#52	Cap Nut	9
#26	Crank Handle Adapter	1	<b>#53</b>	<b>Flange Nut</b>	<b>4</b>
<b>#27</b>	<b>Rim</b>	<b>1</b>	<b>#54</b>	<b>Allen Wrench</b>	<b>1</b>

Contact Gared Customer Service at 800-325-2682 for assistance with replacement of any parts missing or damaged.

# MICRO-Z Portable Backstop



**ASSEMBLY INSTRUCTIONS**

**AT LEAST 2 PHYSICALLY CAPABLE PERSONNEL REQUIRED FOR ASSEMBLY**

Tools Required:

Note: Metric hardware, metric tools recommended

- (1) Allen Wrench (included, item #54)
- (2) 24 mm Wrenches (std. equiv. 15/16 wrenches)
- (1) 17 mm Wrench (std. equiv. 11/16 wrench)
- (1) 15 mm Wrench (std. equiv. 5/8 wrench)
- (2) 13 mm Wrenches (std. equiv. 9/16 wrench)

**IMPORTANT NOTE:**

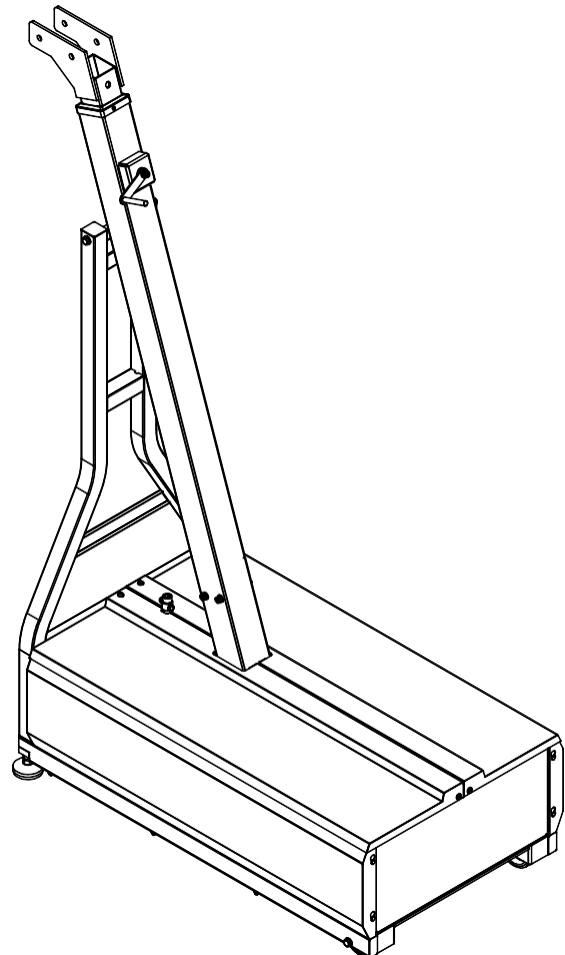
**Important notes are to be in RED BOLD type.**

Regular Note:

Regular notes are to be in Blue type.

Step 1: Remove MICRO-Z from pallet.

- A. Remove any plastic and cardboard from unit.
- B. Remove and unpack backboard, goal, and other boxed parts and hardware.
- C. Carefully remove unit from pallet.

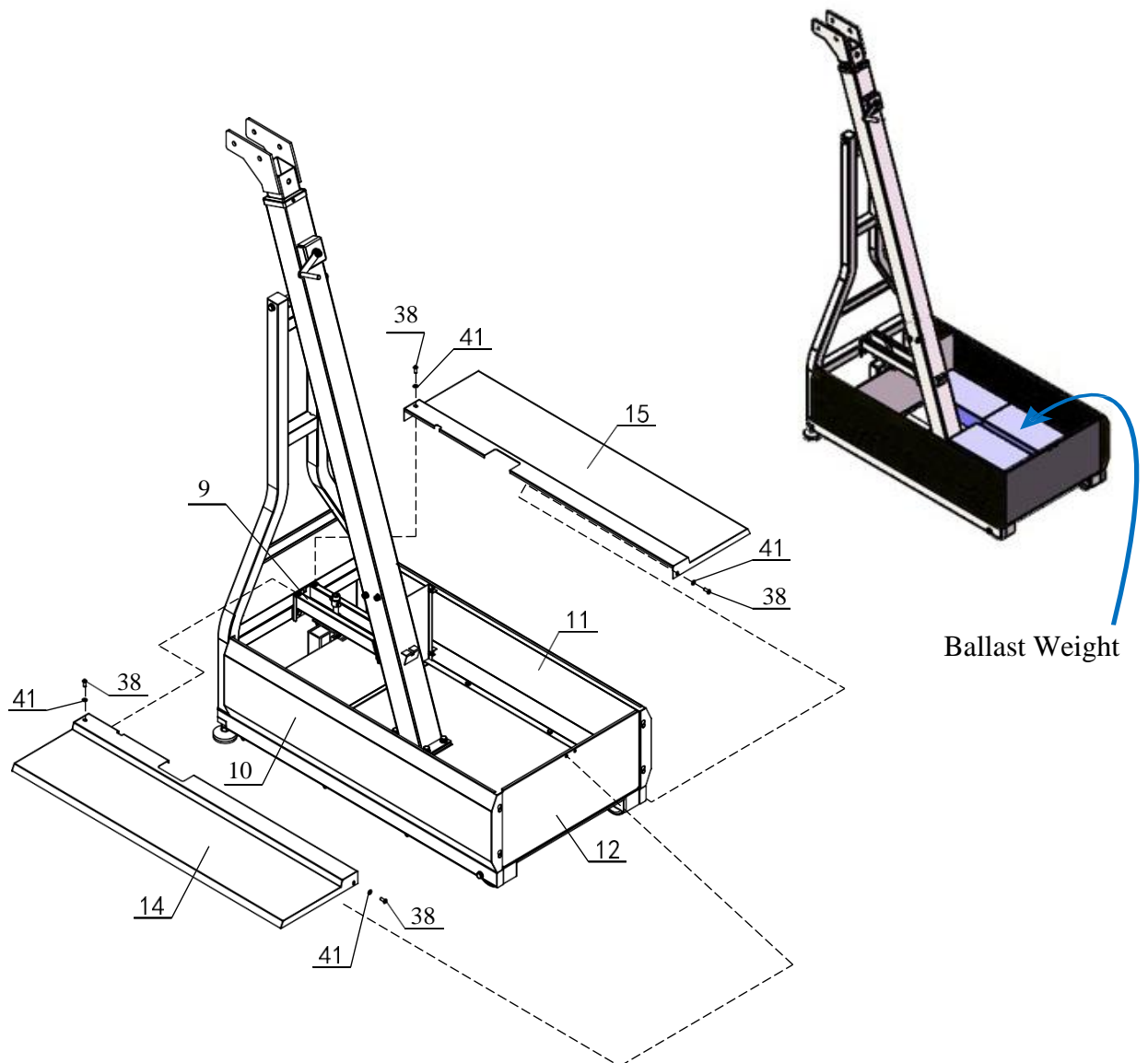


Step 2: Add ballast weight.

**NOTE: Ballast weight must be added to base before attaching backboard and beginning play.**

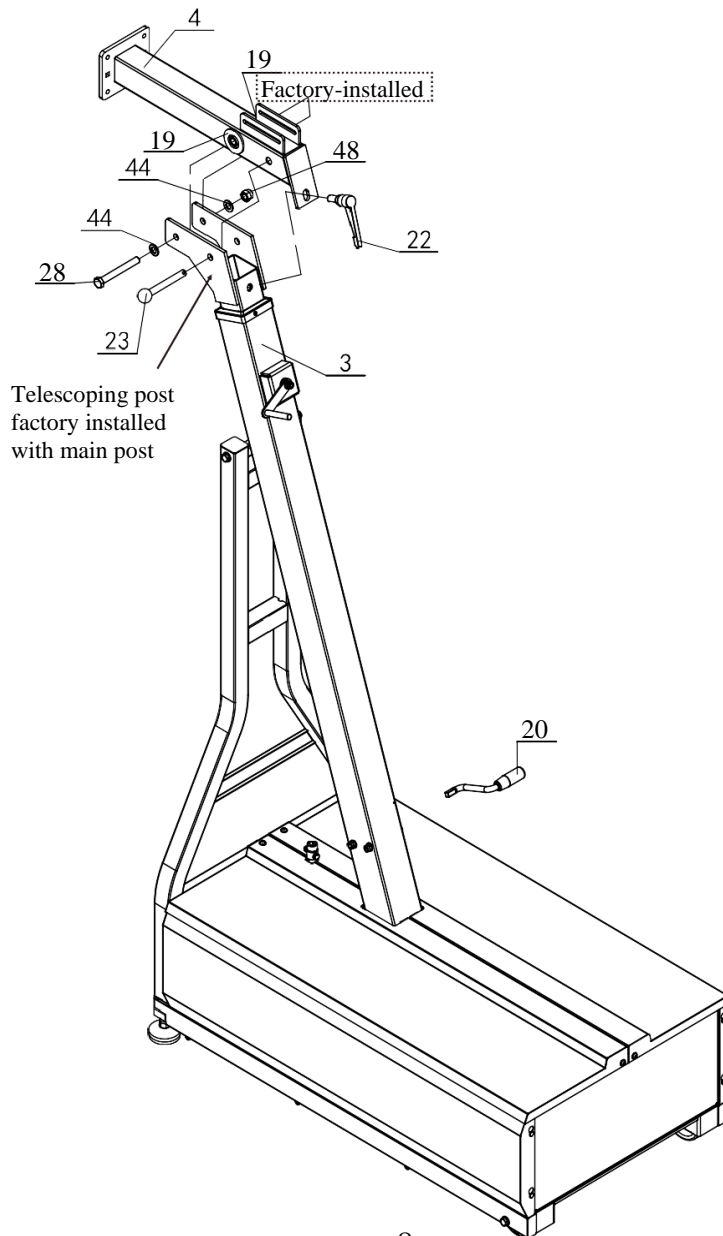
**BALLAST MATERIAL:** Recommended materials include sandbags, bricks, patio blocks, or steel weights. Approximately 350-420 lbs. of ballast weight recommended. Ballast material NOT included with unit.

- A. Use Allen Wrench (#54) to remove four Round Head Hex Screws (#38) and four Flat Washers M8 (#41). Remove Left Cover (#14) and Right Cover (#15).
- B. Add ballast weight to rear weight compartment of unit as shown below.
- C. Replace Left and Right Covers. Secure with screws (#38) and washers (#41).



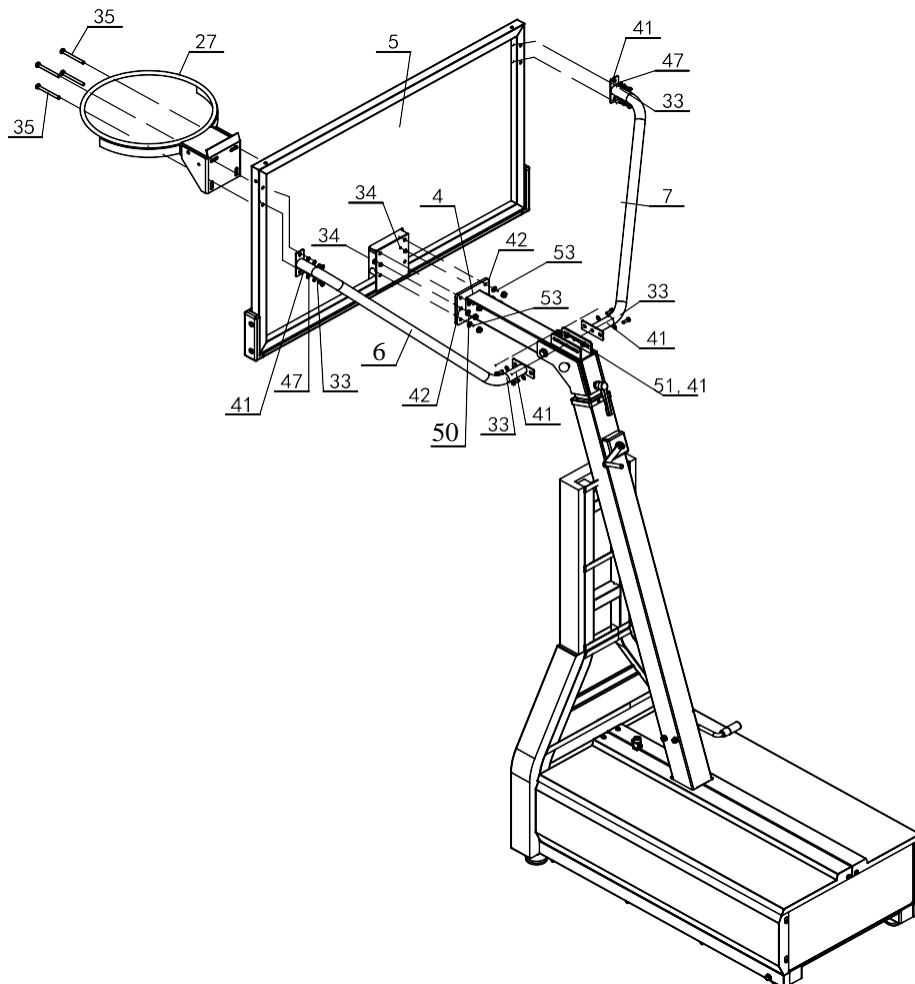
**Step 3: Install Extension Beam.**

- A. Install Crank Handle (#20) to Main Beam (#3). Crank down telescoping post to lowest setting (if necessary).
- B. Connect Extension Beam (#4) to telescoping post with one Hex Bolt M16 X 130 (#28), two Flat Washers M16 (#44), and one Lock Nut M16 (#48). Place one Nylon Washer (#19) on each side of Extension Beam (#4) before connection in location shown. Use two 24 mm wrenches (or 15/16 wrenches) to tighten. Do not overtighten because this is the pivot point. Beam should easily rotate.
- C. Lift Extension Beam (#4) to top position and slide Safety Pin (#23) through both beam and telescoping post brackets.
- D. Use Fastening Handle (#22) to fix Extension Beam (#4) in place.



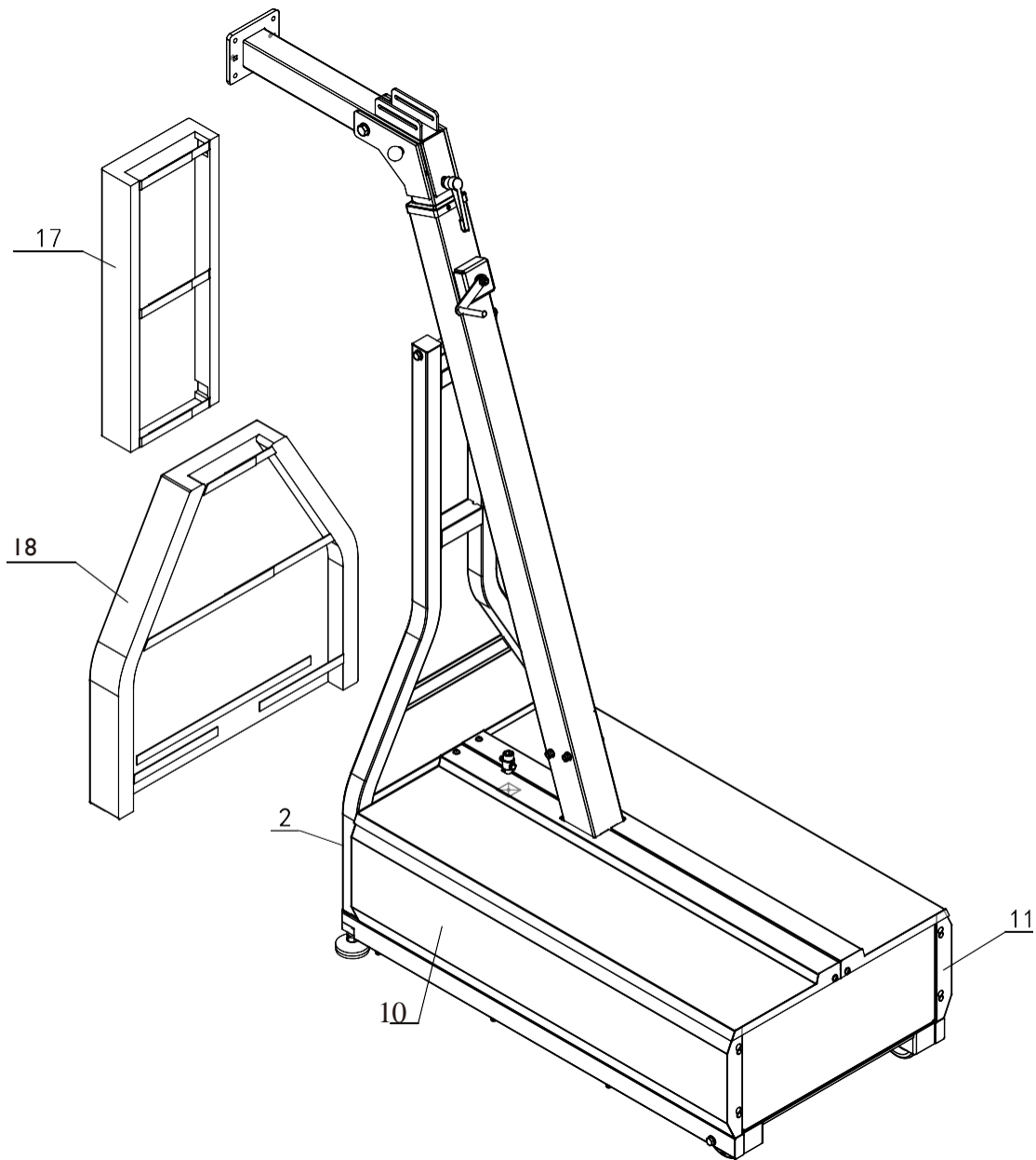
**Step 4: Install Backboard and Rim.**

- A. Install Backboard (#5) onto Extension Beam (#4) with two Carriage Bolts M10 X 30 (#34), two Flat Washers M10 (#42), and two Lock Nuts M10 (#50). Do not tighten at this time. Use one 17 mm wrench (or 11/16 wrench) to tighten when specified.
- B. Connect Upper Extension Arm-Left (#6) and Upper Extension Arm-Right (#7) to Backboard (#5) with four Hex Bolts M8 X 25 (#33), four Flat Washers M8 (#41), and four Locking Washers M8 (#47). Do not tighten at this time. Use one 13 mm wrench (or 9/16 wrench) to tighten when specified.
- C. Connect Upper Extension Arm-Left (#6) and Upper Extension Arm-Right (#7) to Extension Beam (#4) with four Hex Bolts M8 X 25 (#33), eight Flat Washers M8 (#41), and four Lock Nuts M8 (#51). Do not tighten at this time. Use two 13 mm wrenches (or 9/16 wrenches) to tighten when specified.
- D. Adjust Backboard (#5) to a level and plumb position. Tighten all bolts and nuts.
- E. Install Rim (#27) to Backboard (#5) with four Carriage Bolts M10 X 100 (#35) and fasten from back with four Flat Washers M10 (#42) and four Flange Nuts M10 (#53). Use one 15 mm wrench (or 5/8 wrench) to tighten.



Step 5: Attach Pads.

- A. Install Bottom Pad (#18) and Upper Pad (#17) to Front Support (#2) as shown. Pad straps should wrap around Front Support structure and then Velcro to inside of pad.



## Operation

### Height Adjustment:

#### To Raise or Lower:

1. Loosen Locking Handle (#21).
2. Attach Crank Handle (#20) to Main Beam (#3).
3. Rotate Crank Handle clockwise to raise and counterclockwise to lower.
4. When desired height is reached, lock telescoping post in place by tightening Locking Handle.

Note: Lowest setting is 7.5'. Highest setting is 10'.

### Play / Store Mode Transition:

**NOTE: 2 Operators Required. Operators must be able to reach Backboard and support Backboard while it is pivoted down.**

#### To Place Unit in Store Mode:

1. Lower telescoping post to lowest setting.
2. Lock telescoping post in place by tightening Locking Handle (#21).
3. Remove Fastening Handle (#22) from Extension Beam (#4).
4. Operator A stands under Backboard (#5) and supports it.
5. Operator B carefully removes Safety Pin (#23).
6. Both operators carefully support Backboard while swinging it down until it rests on Upper Pad (#17).
7. Attach Crank Handle (#20) to Crank Handle Adapter (#26).
8. Rotate Crank Handle counterclockwise to lower Caster Assembly. Lower until 4" Swivel Casters (#24) are in contact with floor and Steel Feet (#16) are not.
9. Carefully roll unit into desired storage location.
10. Raise Caster Assembly until Steel Feet are in contact with floor to lock unit in place.

#### The Place Unit in Play Mode:

1. Attach Crank Handle (#20) to Crank Handle Adapter (#26).
2. Rotate Crank Handle counterclockwise to lower Caster Assembly. Lower until 4" Swivel Casters (#24) are in contact with floor and Steel Feet (#16) are not.
3. Carefully roll unit into desired play location.
4. Rotate Crank Handle clockwise to raise Caster Assembly. Raise until Steel Feet are in contact with floor and 4" Swivel Casters are not.
5. Both operators carefully support Backboard (#5) while swinging it up to the top position.
6. Operator A stands under Backboard and supports it.
7. Operator B carefully installs Safety Pin (#23).
8. Install Fastening Handle (#22) in Extension Beam (#4).

## ***Maintenance***

1. General inspection of equipment when used should be performed to ensure no catastrophic failures have occurred during use between yearly inspections.
2. It is recommended that yearly inspections be conducted to determine if any bolts or other hardware has become worn or loosened.
3. During yearly inspections,
  - Check all joints to make sure they are tight and secure.
  - Check the board and goal mounting bolts to make sure they are tight. Check the net for wear.
  - Check the pads for wear.
  - Apply a light coat of white lithium grease to the threads of the leveling pad screws.
  - Any loose bolts or nuts should be tightened.
  - Replace any components that are missing or worn.

## Troubleshooting

Unit will not fit through the doorway.

Note: Unit is 7' 8" when rolled in stored mode. Place unit in stored mode before attempting to remove Backboard.

**NOTE: 3 Operators Required. Operators must be able to reach Backboard and support Backboard while it is pivoted down.**

1. Attach Crank Handle (#20) to Crank Handle Adapter (#26).
2. Rotate Crank Handle clockwise to raise Caster Assembly. Raise until Steel Feet (#16) are in contact with floor and 4" Swivel Casters (#24) are not.
3. Operators A and B stand on each side of the Backboard (#5) and support it.
4. Operator C carefully removes the Hex Bolt M16 X 130 (#28), two Flat Washers M16 (#44), and Lock Nut M16 (#48) connecting the Backboard Assembly to the Main Beam (#3). Use two 24 mm wrenches (or 15/16 wrenches) to loosen.
5. All Operators carefully carry Backboard Assembly through the doorway and temporarily store in a safe location.
6. Use Allen Wrench (#54) to remove four Round Head Hex Screws (#38) and four Flat Washers M8 (#41) connecting Left Cover (#14) and Right Cover (#15) to unit. Remove Left and Right Covers.
7. Remove ballast weight from rear weight compartment of unit.
8. All Operators carefully lift, tip forward, and carry the unit through the doorway.
9. Add ballast weight to rear weight compartment of unit.
10. Replace Left and Right Covers on unit. Secure with four Round Head Hex Screws and four Flat Washers M8.
11. All Operators carefully carry Backboard Assembly towards the front of the unit.
12. Operators A and B stand on each side of the Backboard and support it.
13. Operator C carefully attaches the Hex Bolt M16 X 130, two Flat Washers M16, and Lock Nut M16 connecting the Backboard Assembly to the Main Beam. Use two 24 mm wrenches (or 15/16 wrenches) to tighten. Do not overtighten. Backboard Assembly should easily rotate.
14. Rotate Crank Handle counterclockwise to lower Caster Assembly. Lower until 4" Swivel Casters are in contact with floor and Steel Feet are not.



**Gared Performance Sports Systems**  
9200 E. 146<sup>th</sup> Street  
Noblesville, IN 46060

**800-848-8034**  
[www.garedperfsports.com](http://www.garedperfsports.com)